

74C00
276-2301
74C02
276-2302
74C04
276-2303

QUAD TWO-INPUT NAND GATE
QUAD TWO-INPUT NOR GATE
HEX INVERTER

GENERAL DESCRIPTION

These logic gates employ complementary MOS (CMOS) to achieve wide power supply operating range, low power consumption, high noise immunity and symmetric controlled rise and fall times. With features such as this the 74C logic family is close to ideal for use in digital systems. Function and pin out compatibility with series 74 devices minimizes design time for those designers already familiar with the standard 74 logic family.

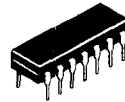
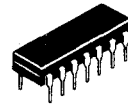
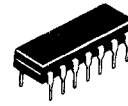
All inputs are protected from damage due to static discharge by diode clamps to V_{CC} and GND.

FEATURES

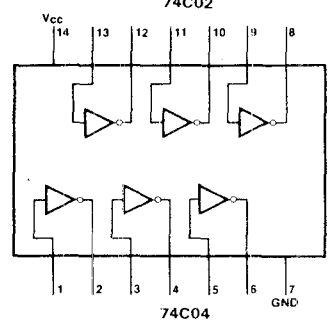
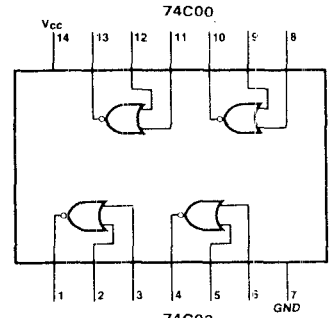
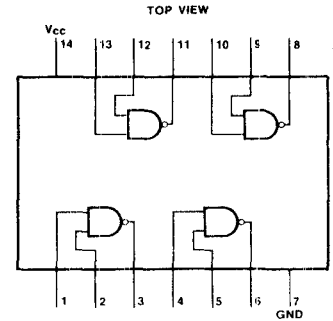
- Wide supply voltage range 3.0V to 15V
- Guaranteed noise margin 1.0V.
- High noise immunity 0.45 V_{CC} typ.
- Low power consumption 10 nW/package typ.
- Low power TTL compatibility fan out of 2 driving 74L.

ABSOLUTE MAXIMUM RATINGS

Voltage at Any Pin -0.3V to V_{CC} +0.3V
 Operating Temperature Range -40°C to +85°C
 Storage Temperature Range -65°C to +150°C
 Maximum V_{CC} Voltage 16V
 Package Dissipation 500 mW
 Lead Temperature (Soldering, 10 seconds) 300°C



PIN CONNECTION



74C08
276-2305

QUAD TWO-INPUT AND GATE

GENERAL DESCRIPTION

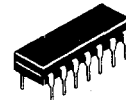
Employing complementary MOS (CMOS) transistors to achieve wide power supply operating range, low power consumption and high noise margin these gates provide basic functions used in the implementation of digital integrated circuit systems. The N and P-channel enhancement mode transistors provide a symmetrical circuit with output swing essentially equal to the supply voltage. No dc power other than that caused by leakage current is consumed during static condition. All inputs are protected from damage due to static discharge by diode clamps to V_{CC} and GND.

FEATURES

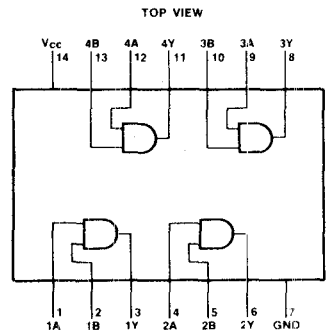
- Wide supply voltage range 3.0V to 15V
- Guaranteed noise margin 1.0V
- High noise immunity 0.45 V_{CC} typ
- Low power TTL compatibility fan out of 2 driving 74L.
- Low power consumption 10 nW/package typ

ABSOLUTE MAXIMUM RATINGS

Voltage at Any Pin -0.3 to V_{CC} +0.3V
 Operating Temperature Range -40°C to +85°C
 Storage Temperature Range -65°C to +150°C
 Package Dissipation 500 mW
 Operating V_{CC} Range 3.0V to 15V
 Absolute Maximum V_{CC} 16V
 Lead Temperature (Soldering, 10 seconds) 300°C



PIN CONNECTION



TRUTH TABLE

INPUTS		OUTPUT
A	B	Y
L	L	L
L	H	L
H	L	L
H	H	H

H = High Level
L = Low Level