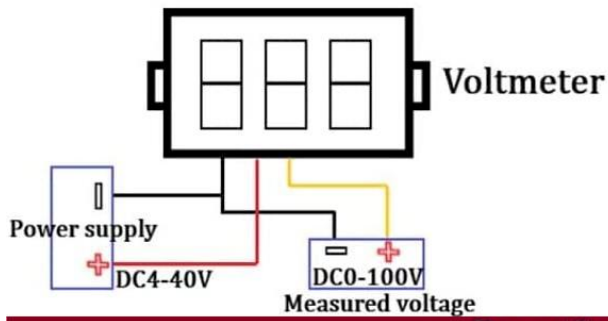
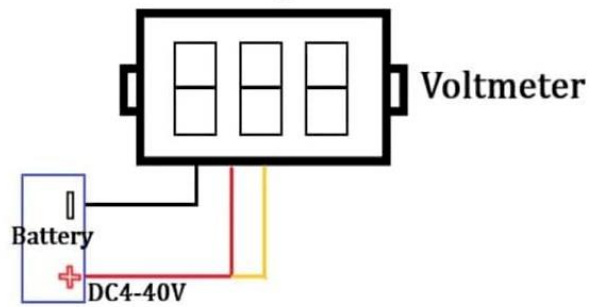


Three-wire connection



Three lines changed to two lines



Specifications

Detection voltage	0.0V ~ 100V	Working voltage	DC 4.0V ~ 30V
Working current	less than 20mA	Installation hole	23 × 10 mm
Working pressure	80~106kPa	Maximum working voltage	+30V
Operating temperature	-10 ~ +65 °C	Measurement rate	≥200mS / times
Accuracy	3%	Working humidity	10~80%(No condensation)