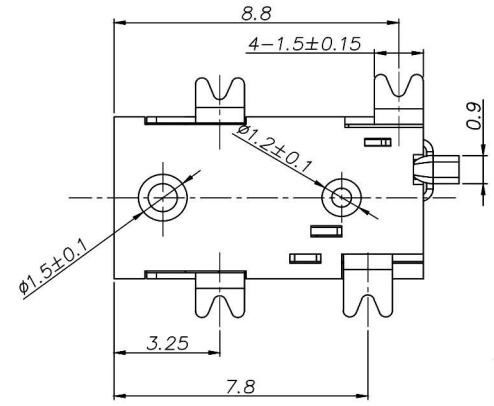
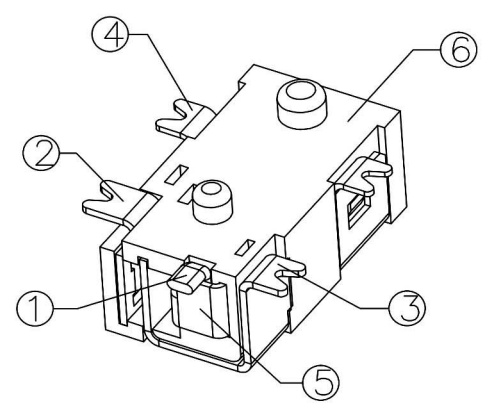
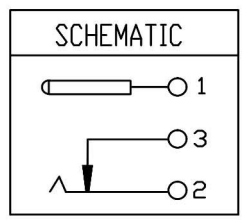
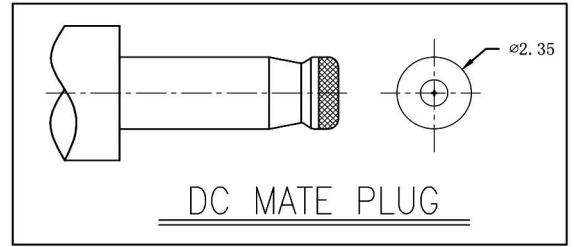


Recommended PCB Layout (Tolerance±0.05)  
(Copper-sided View)



6	HOUSING	1	PA9T	UL-94V0(BLACK)
5	TERMINAL	1	SUS301 t=0.20	Ag PLATED
4	TERMINAL	1	C2680 t=0.20	Ag PLATED
3	SHUNT TERMINAL	1	C2680 t=0.25	Ag PLATED
2	TIP SPRING	1	C5191 t=0.25	Ag PLATED
1	PIN	1	H59(COPPER ALLOY)	Ag PLATED
LTR	PART NAME	QTY	MATERIAL	REMARK



UNLESS OTHERWISE SPECIFIED, TOLERANCE ON DECIMAL: ±0.3

RoHS  
Compliant

**HSM 玄茂科技股份有限公司**  
**HSUAN MAO TECHNOLOGY CO., LTD.**

APPD. 核准	SCALE 比例 参考	TOLERANCE 容許公差	PART NAME 品名
DWG. 製圖		.0 ±	
DATE 制表日	UNIT 單位	ANG. ±	NORMAL CLOSE TYPE SILVER PLATING
2019/03/14	MM	SIZE. 紙張尺寸	W/ LOCATING PEG BLACK INSULATOR
	PAGE 張數	REV. 版次	REEL PACKING ROHS
	1 OF 1	B	PART NO. 料號
			C9746-GCVBR000R

PART NO. C9746-GCVBR000R