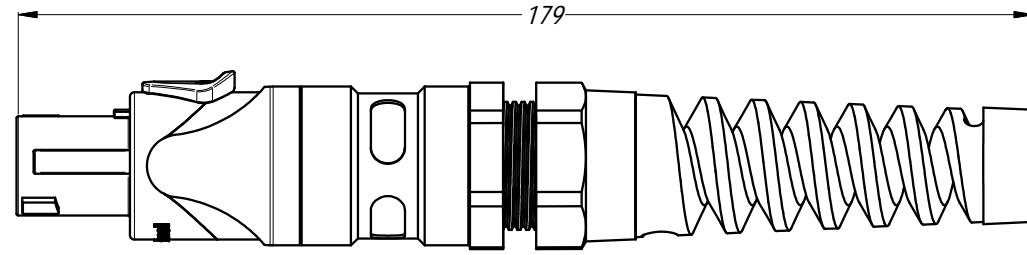
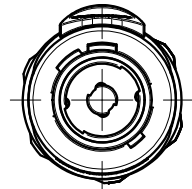
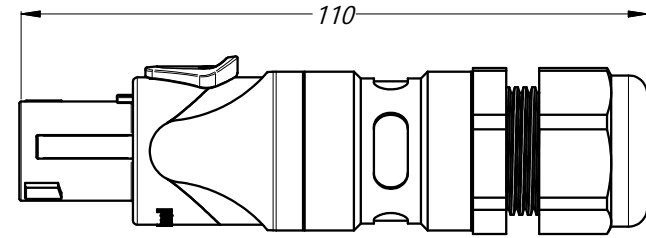
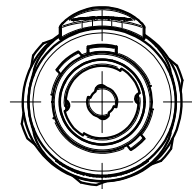


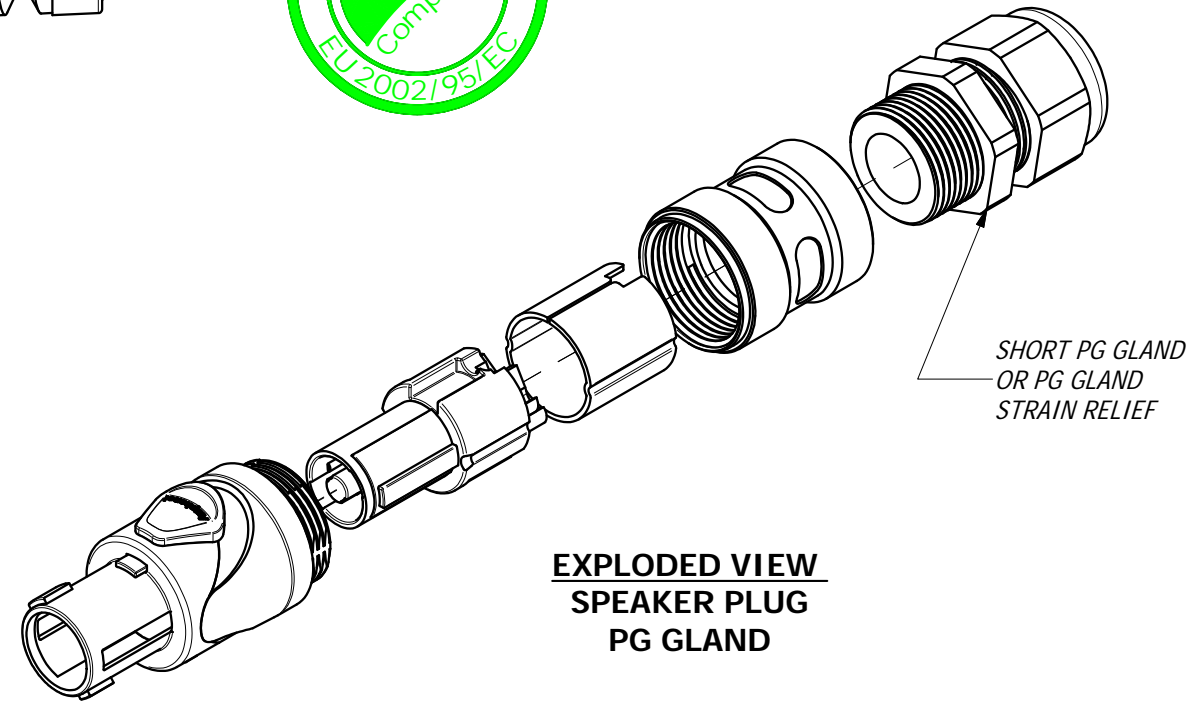
| REVISION HISTORY | | | | | |
|------------------|------|---------------|----------|-----|------|
| REV | ZONE | DESCRIPTION | DATE | BY | ECN |
| 1 | | FIRST RELEASE | 30/11/11 | T.N | 9068 |



**SPEAKER PLUG
PG GLAND STRAIN RELIEF**

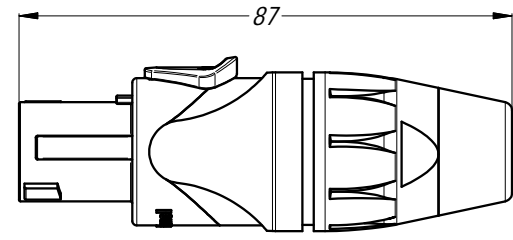
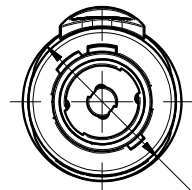


**SPEAKER PLUG
PG GLAND**

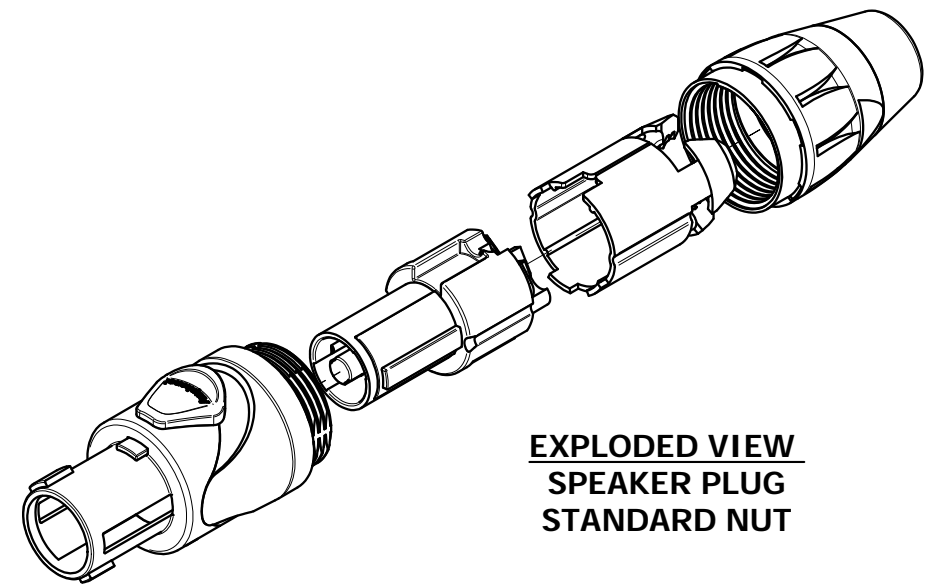


SHORT PG GLAND
OR PG GLAND
STRAIN RELIEF

**EXPLODED VIEW
SPEAKER PLUG
PG GLAND**

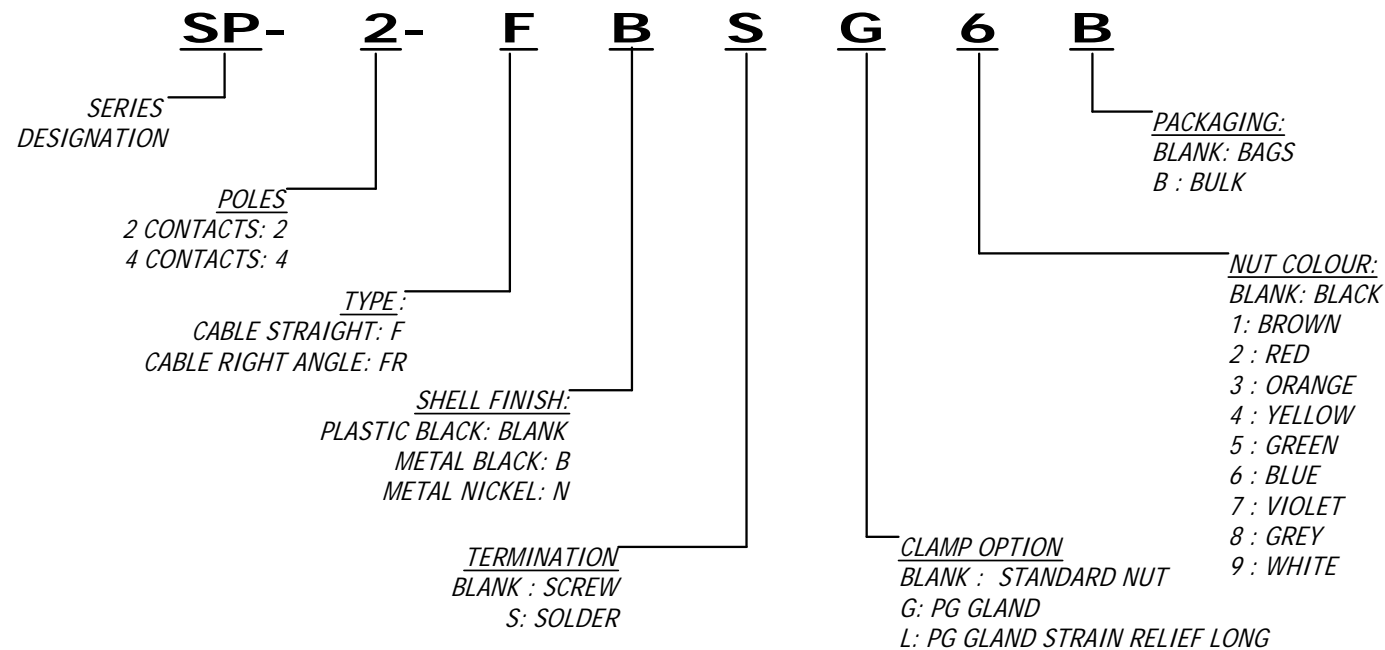


**SPEAKER PLUG
STANDARD NUT**



**EXPLODED VIEW
SPEAKER PLUG
STANDARD NUT**

PART NUMBER BREAKDOWN



| | | | | | | | |
|--|-------------|---|--|-------------------|-----------------|--|--|
| UNLESS OTHERWISE SPECIFIED TOLERANCE TO BE | | THIS DOCUMENT IS THE PROPERTY OF AMPHENOL AUSTRALIA PTY. LTD. NO PART THEREOF MAY BE REPRODUCED AND USED WITHOUT THE PRIOR WRITTEN CONSENT OF THE OWNER | | | | Amphenol Amphenol Australia Pty.Ltd, 2 Fiveways Blvd, Keysborough, VIC 3173 | |
| LINEAR | ANGULAR | MATERIAL: SEE COMPONENTS | | DRN: T.N | DATE: 30/11/11 | TITLE: LOUD SPEAKER CONNECTOR PLUG SP SERIES | |
| X ±0.5 | X' ±1 | FINISH: | | CKD: P.M | DATE: 30/11/11 | PART No: SEE P/No BREAKDOWN | |
| X.X ±0.1 | X.X' ±30' | DO NOT SCALE | | APP'D: T.N | DATE: 30/11/11 | DRAWING NO. 55010772-000-2 | |
| X.XX ±0.05 | X.X'X' ±15' | DIMENSIONS IN MILIMETRES | | SCALE: NTS | SIZE: A3 | SHEET 2/2 | |