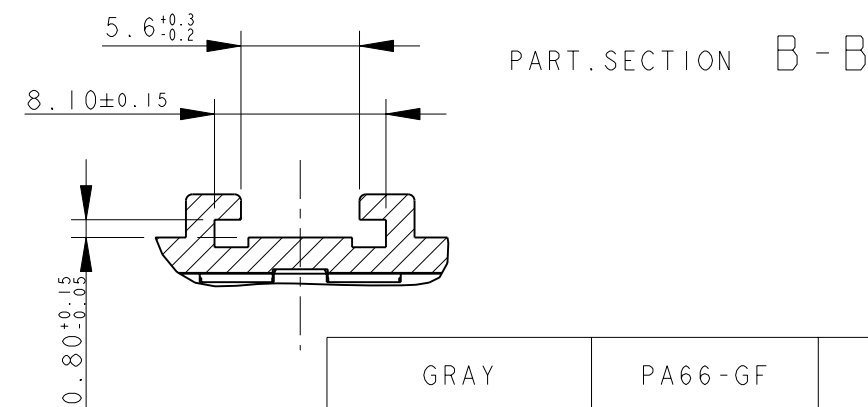
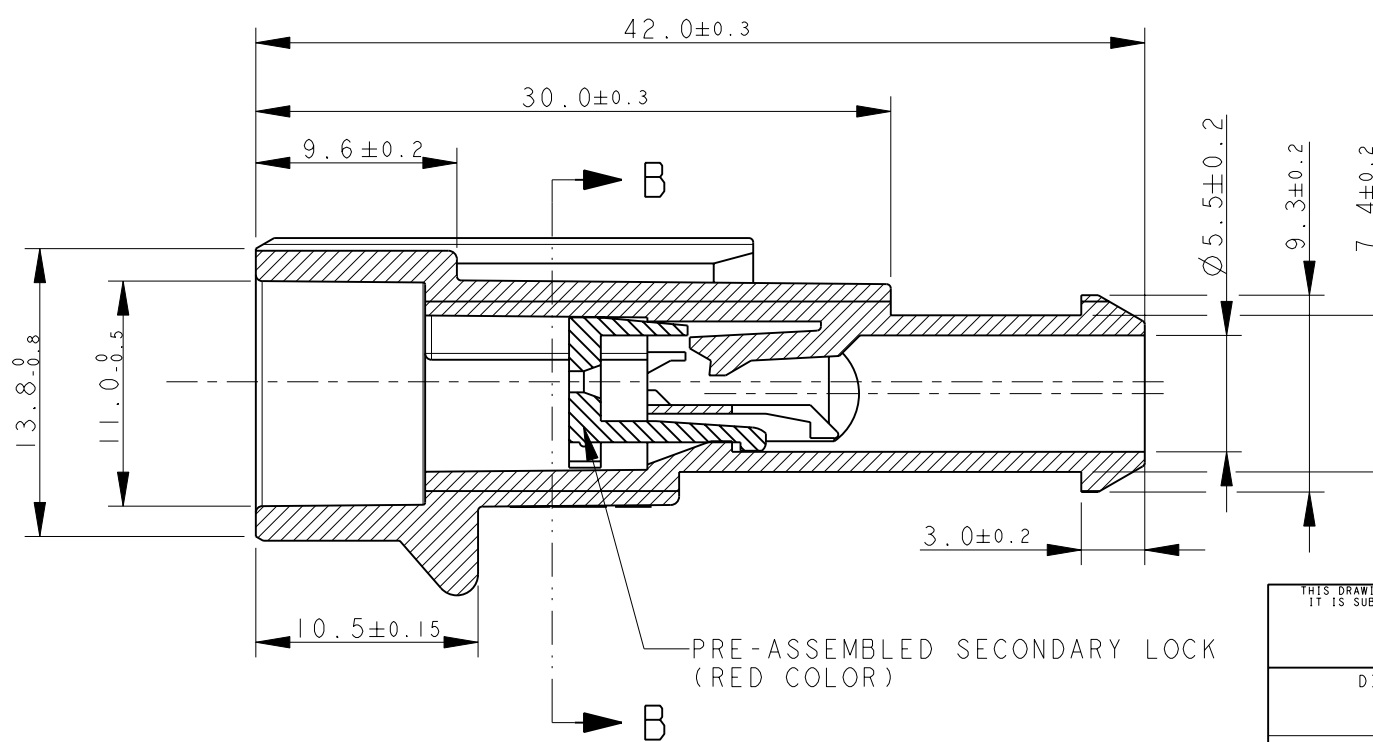
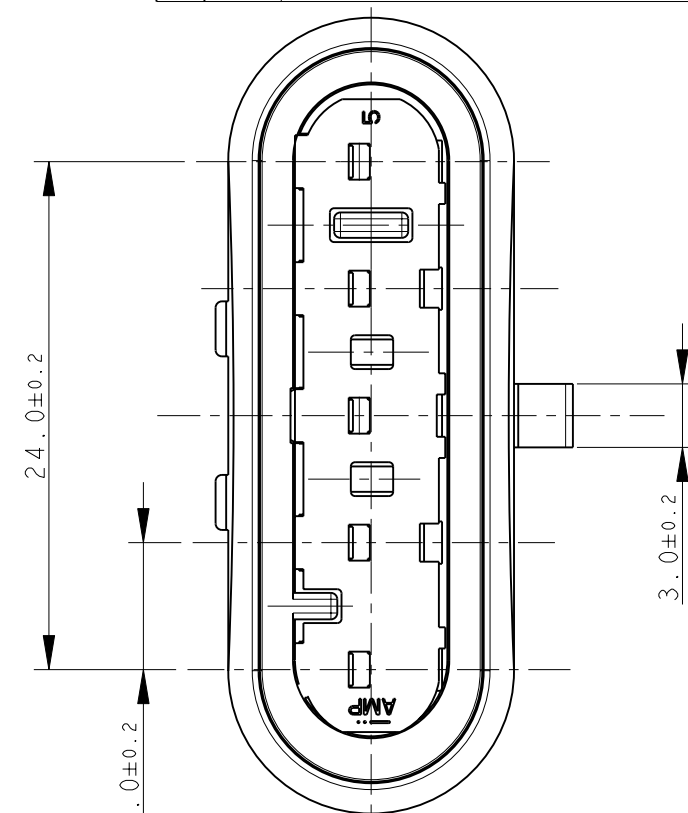
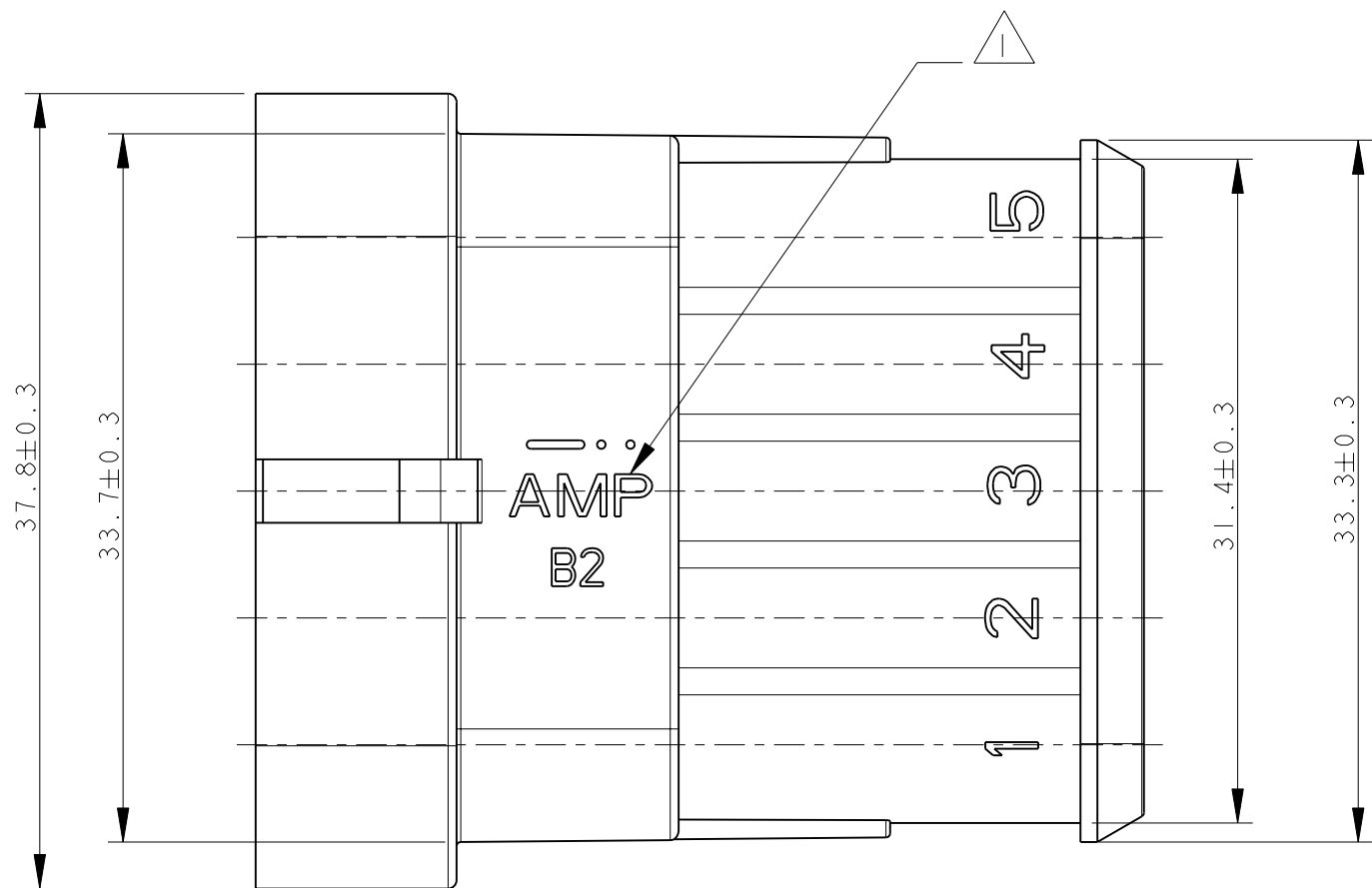


LOC	DIST	REVISIONS					
		P	LTR	DESCRIPTION	DATE	DWN	APVD
1	-	B		REDRAWN (ECR-10-004138)	02MAR2010	M.G.	M.G.



GRAY	PA66-GF	282107-2
BLACK	PA66-GF	282107-1
FINISH/COLOR	MATERIAL	PART NUMBER

**Tyco Electronics** Tyco Electronics AMP Italia S.r.l.  
Corso F.lli Cervi,15 - Collegno (TO)

NAME  
**AMP SUPERSEAL 1.5 SRS.  
5 POSITIONS TAB ASS'Y**

SIZE	CAGE CODE	DRAWING NO	RESTRICTED TO
A3	00779	C=282107	-

THIS DRAWING IS A CONTROLLED DOCUMENT FOR TYCO ELECTRONICS CORPORATION  
IT IS SUBJECT TO CHANGE AND THE CONTROLLING ENGINEERING ORGANIZATION  
SHOULD BE CONTACTED FOR THE LATEST REVISION.

DIMENSIONS:		TOLERANCES UNLESS OTHERWISE SPECIFIED:	
mm			
0 PLC	±.	0 PLC	±.
1 PLC	±0.3	1 PLC	±0.3
2 PLC	±.	2 PLC	±.
3 PLC	±.	3 PLC	±.
4 PLC	±.	4 PLC	±.
ANGLES	±2°	ANGLES	±2°
MATERIAL	-	FINISH	-

DWN	C. BERTINI	02-1990
CHK	A. BRUNI	02-1990
APVD	-	-
PRODUCT SPEC	108-20090	-
APPLICATION SPEC	-	-
WEIGHT	-	-
CUSTOMER DRAWING		

LOGO "AMP" O, IN ALTERNATIVA, LOGO TYCO ELECTRONICS ("AMP" TRADE MARK OR, IN ALTERNATIVE, TYCO ELECTRONICS TRADE MARK)