

4

3

2

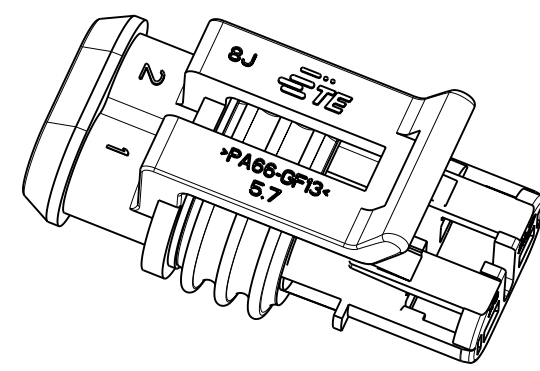
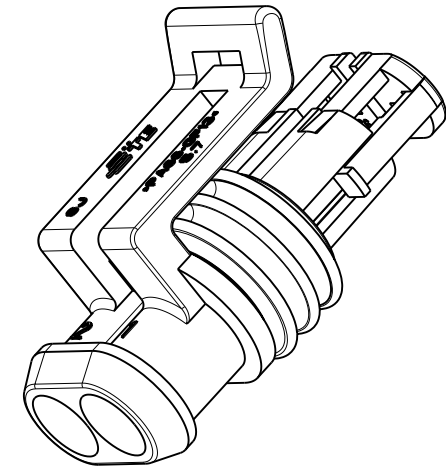
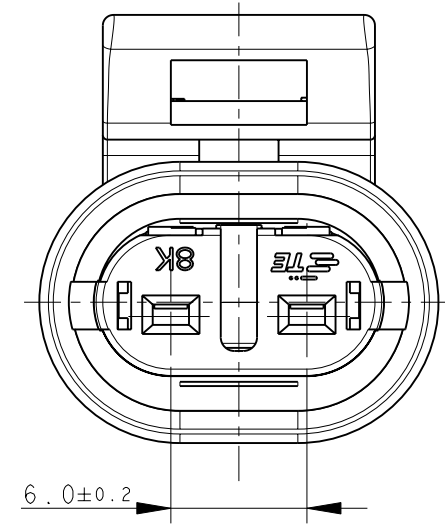
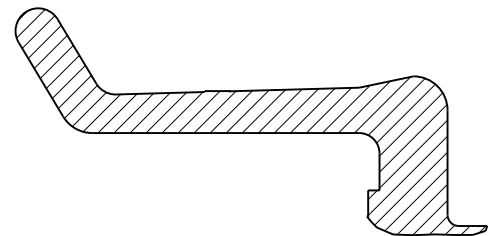
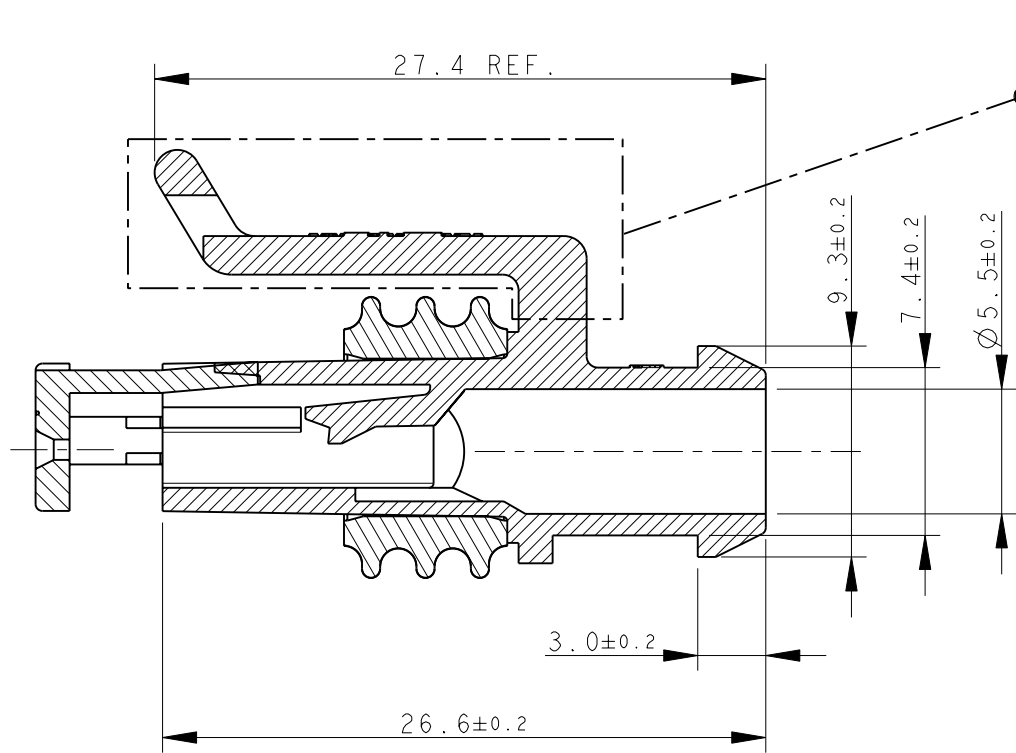
1

THIS DRAWING IS UNPUBLISHED. RELEASED FOR PUBLICATION 2011

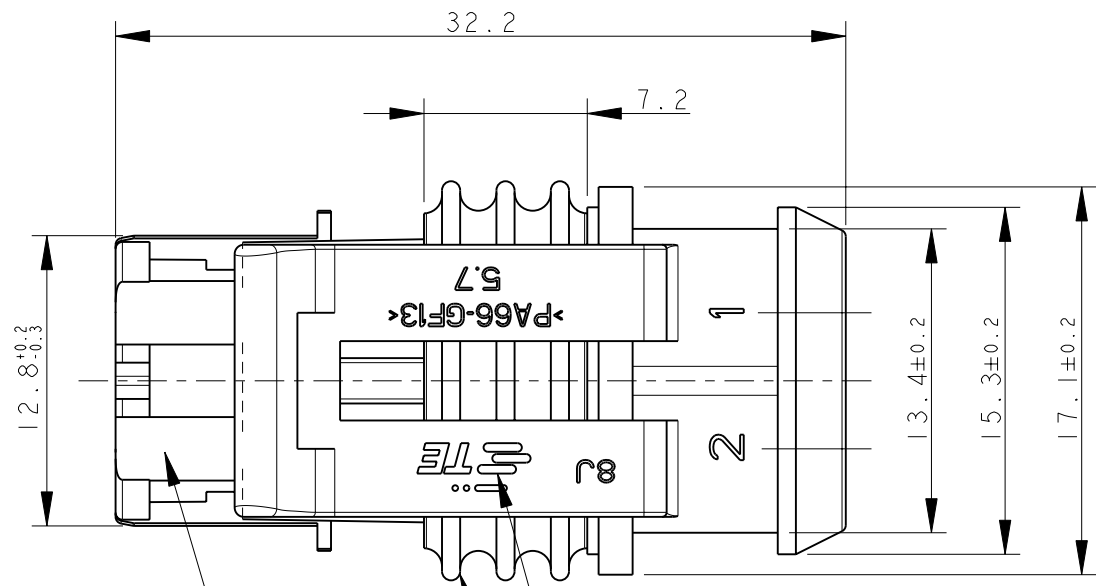
© COPYRIGHT 2011 ALL RIGHTS RESERVED.

| LOC | DIST | REVISIONS | | | | |
|-----|------|-------------|---------------------------|-----------|------|------|
| P | LTR | DESCRIPTION | DATE | DWN | APVD | |
| | | C5 | REVISED FOR ECR-11-009825 | 20MAY2011 | M.G. | M.G. |
| | | C6 | REVISED BY ECR-11-024280 | 13DEC2011 | M.F. | M.G. |

ALTERNATIVE DESIGN OF LOCKING LANCE



1) FOR COUNTERPART DETAILS, SEE SHEET 2 OF 2



| | | |
|--------------|----------|-------------|
| BROWN | PA66-GF | 282080-4 |
| GREEN | | 282080-3 |
| GRAY | | 282080-2 |
| BLACK | | 282080-1 |
| FINISH/COLOR | MATERIAL | PART NUMBER |

TE CONNECTIVITY TRADE MARK, (IN ALTERNATIVE: "AMP" LOGO, OR "Tyco Electronics" LOGO)

SEALING (SILICONE RUBBER)

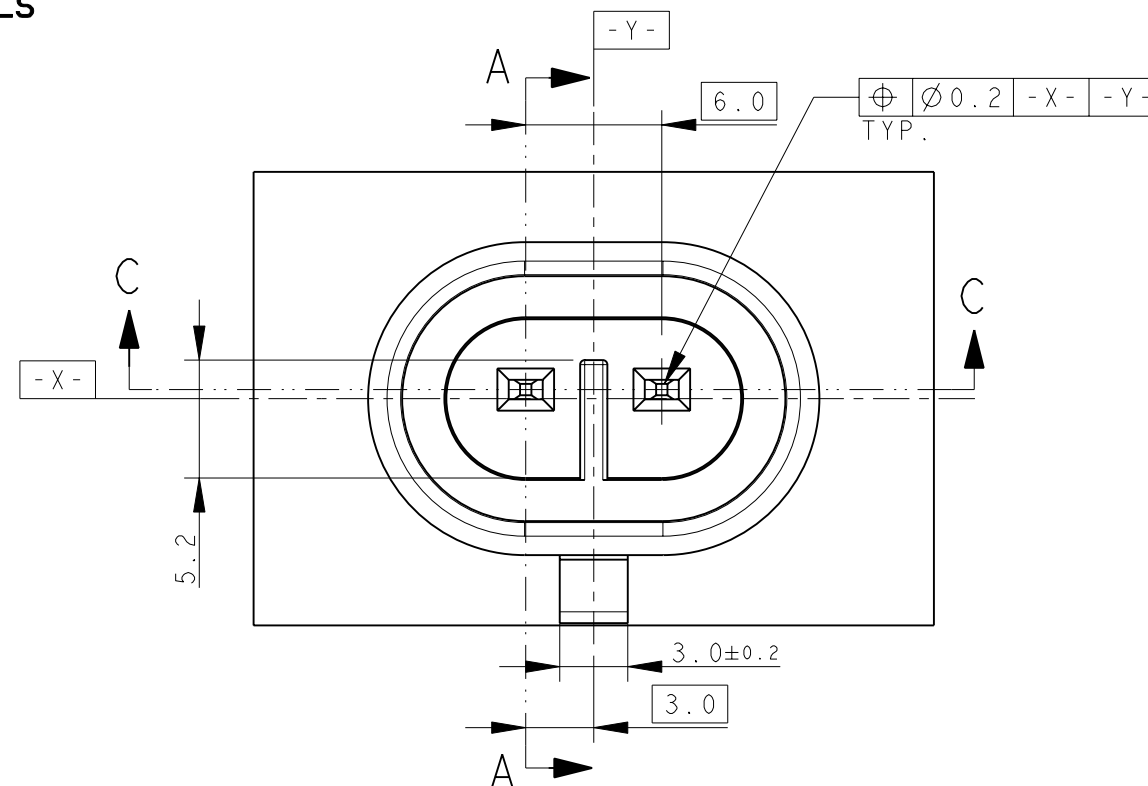
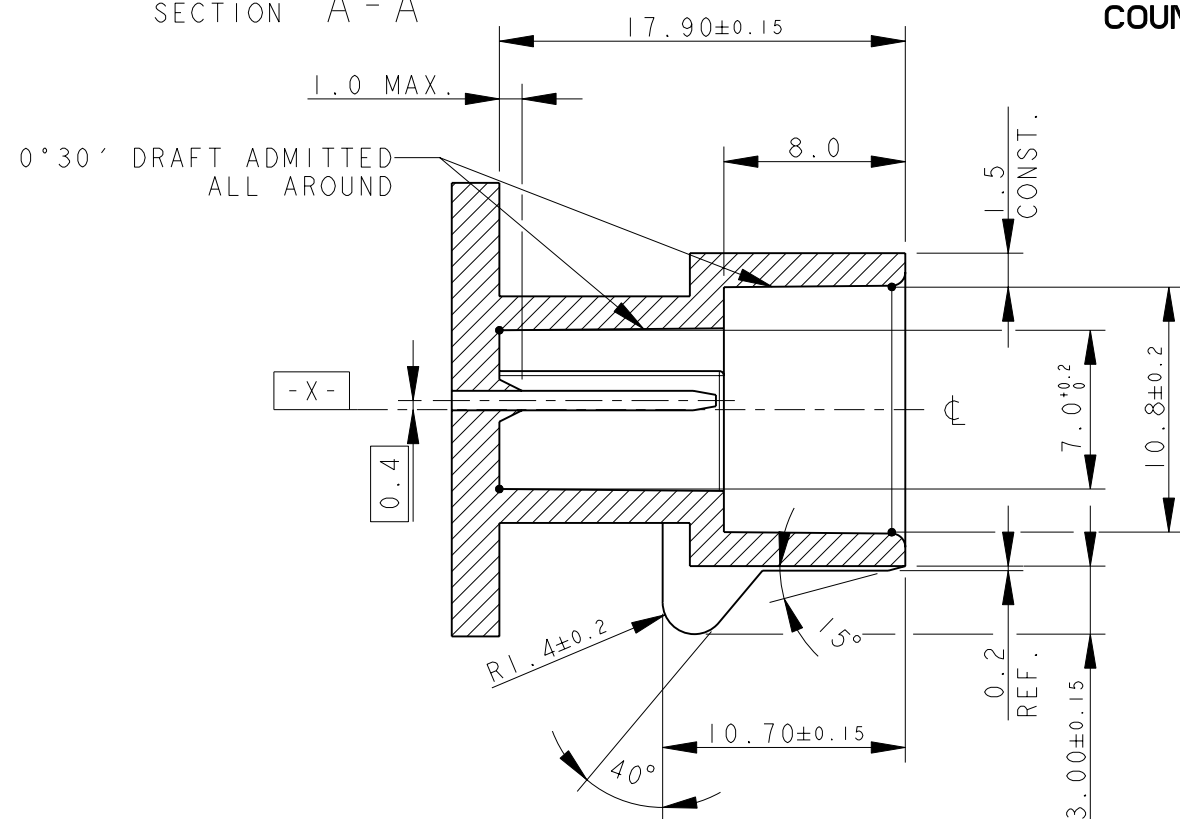
PRE-ASSEMBLED SECONDARY LOCK (RED COLOR)

| | | | | |
|--|--|----------------------------|---|-----------------|
| THIS DRAWING IS A CONTROLLED DOCUMENT. | | DWN C. BERTINI 05-1992 | TE Connectivity | |
| DIMENSIONS: mm | | CHK A. BRUNI 05-1992 | | |
| TOLERANCES UNLESS OTHERWISE SPECIFIED: | | APVD - | NAME | |
| 0 PLC ±- | | PRODUCT SPEC 108-20090 | AMP SUPERSEAL 1.5 SRS. 2 POSITIONS PLUG ASS'Y | |
| 1 PLC ±0.3 | | APPLICATION SPEC 412-20000 | | |
| 2 PLC ±- | | WEIGHT 2.60gr | SIZE A3 | CAGE CODE 00779 |
| 3 PLC ±- | | CUSTOMER DRAWING | DRAWING NO C-282080 | RESTRICTED TO - |
| 4 PLC ±- | | | SCALE 5:1 | SHEET 1 OF 2 |
| ANGLES ±2° | | | | REV C6 |
| FINISH - | | | | |

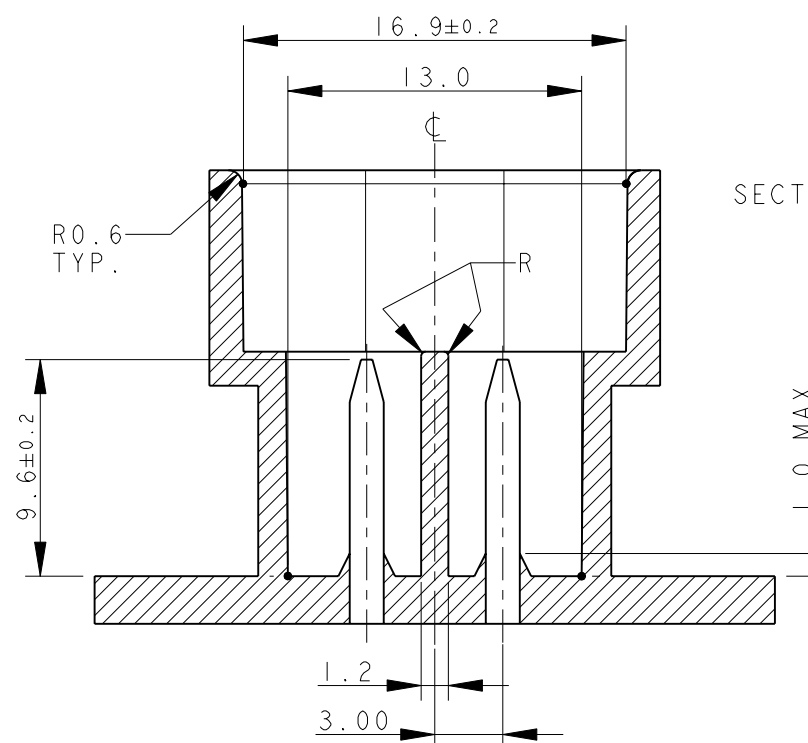
| LOC | DIST | REVISIONS | | | | | |
|-----|------|-----------|-----|-------------|------|-----|------|
| | | P | LTR | DESCRIPTION | DATE | DWN | APVD |
| 1 | - | - | - | SEE SHEET 1 | - | - | - |

SECTION A - A

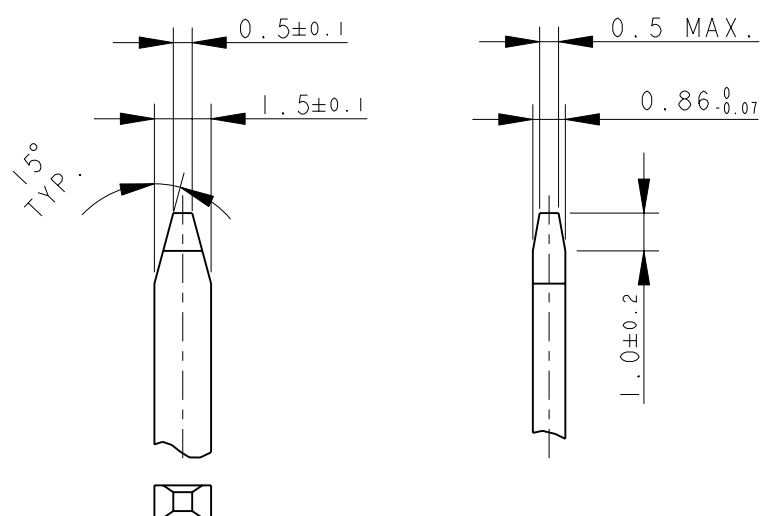
COUNTERPART DETAILS



SECTION C - C



TAB DETAILS



MATERIALS: PA66-GF FOR HOUSING
TIN PLATED BRASS FOR TABS

THIS DRAWING IS A CONTROLLED DOCUMENT.

DWN C. BERTINI 05-1992

CHK A. BRUNI 05-1992

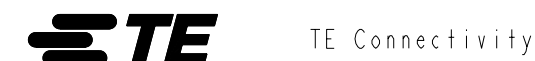
APVD -

PRODUCT SPEC -

APPLICATION SPEC -

WEIGHT -

CUSTOMER DRAWING



AMP SUPERSEAL 1.5 SRS.
2 POSITIONS PLUG ASS'Y

NAME -

| | | | |
|------|-----------|------------|---------------|
| SIZE | CAGE CODE | DRAWING NO | RESTRICTED TO |
| A3 | 00779 | C-282080 | - |

SCALE 3:1 SHEET 2 OF 2 REV C6

| | |
|-------------------|--|
| DIMENSIONS: mm | TOLERANCES UNLESS OTHERWISE SPECIFIED: |
| | 0 PLC ±0.3 |
| | 1 PLC ±0.1 |
| | 2 PLC ±0.05 |
| | 3 PLC ± |
| | 4 PLC ± |
| | ANGLES ±2° |
| MATERIAL | FINISH |
| | |