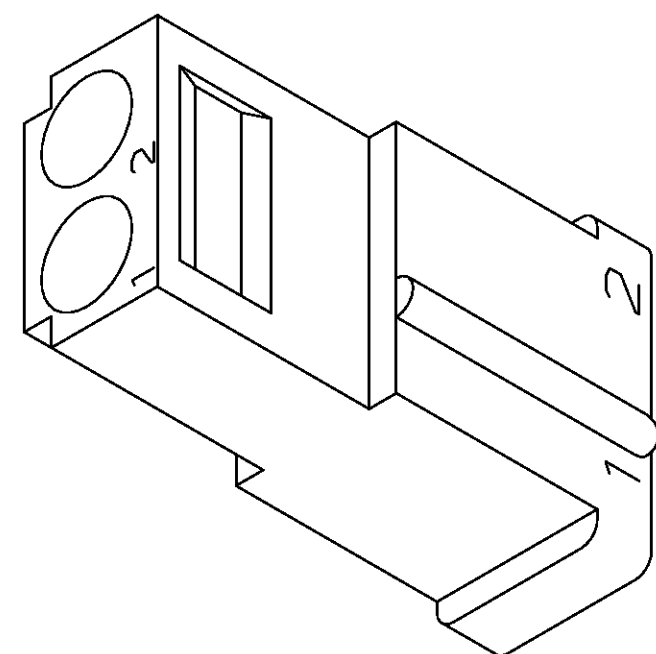
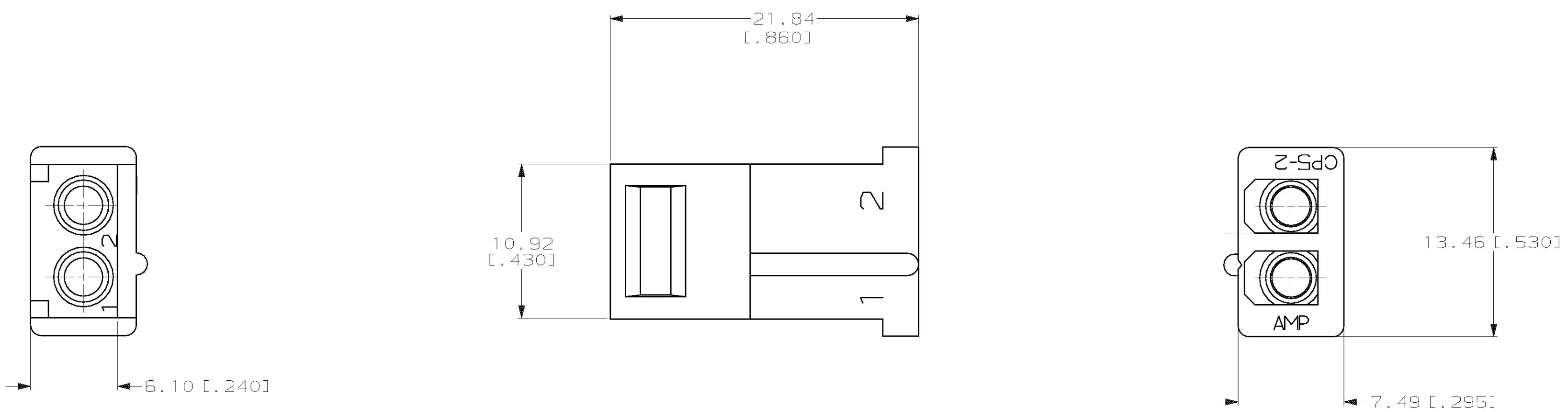


THIS DRAWING IS UNPUBLISHED. RELEASED FOR PUBLICATION, 19 .
 © COPYRIGHT 19 BY AMP INCORPORATED. ALL INTERNATIONAL RIGHTS RESERVED.

LOC		DIST		REVISIONS				DATE	APPD
CM	53	P	F	ZONE	LTR	DESCRIPTION			
					N	REV PER EC 0L30-0095-96	11-6-96	JH RS	

1. THIS PLUG TO BE USED WITH CAP NO. 480319.
2. TO BE USED WITH APPROPRIATE COMMERCIAL MATE-N-LOK™ SOCKETS.
3. DIMENSIONS IN BRACKETS ARE IN INCHES.



3-DIMENSIONAL MODELS
NTS

METRIC

THIS DRAWING IS A CONTROLLED DOCUMENT FOR AMP INCORPORATED. IT IS SUBJECT TO CHANGE AND THE CONTROLLING ENGINEERING ORGANIZATION SHOULD BE CONTACTED FOR THE LATEST REVISION.

BLACK	1-480318-9
NATURAL	1-480318-0
COLOR	PART NO

DO NOT SCALE PRINT. UNLESS SPECIFIED DIMENSIONS IN mm [INCHES] TOLERANCES ON : 2 PLC DEC ± 0.13[.005] 3 PLC DEC ± - ANGLES ± -		DR 2-02-95 B. LEWIS		AMP Incorporated Harrisburg, PA 17105-3608	
MATERIAL UL94V-2, NYLON		CHK 2-02-95 R. SWING			
FINISH -		APPD 2-09-95 C. MARTIN		NAME PLUG 2 CIRCUIT, COMMERCIAL MATE-N-LOK™	
-		APPD 2-09-95 C. MARTIN		DRAWING NO C=480318	
-		PRODUCT SPEC -		CAGE CODE 00779	
-		APPLICATION SPEC -		SCALE 4:1	
-		WEIGHT -		SHEET 1 OF 1	