

## 1 subject content

This acknowledgement is compiled according to Q/ARHQ-001-2007 enterprise standard (SJ/T10208-91).. The provisions of the KAN type touch switch (hereinafter referred to as the "switch") product technical requirements, inspection and test and structure size.

## 2 scope of application

recognition of books available in color television broadcasting receivers and similar electronic apparatus with touch switch, for color television broadcasting receivers and similar electronic apparatus for feature selection and state conversion.

## 3 rated working range

3.1 rated working voltage: DC12V

3.2 rated working current: 50mA

3.3 the use of environmental temperature: -30 ~ 85°C

3.4 test conditions: 5~35°C, relative humidity of 45%~85%

## 4 technical requirements

### 4.1 appearance quality

Plastic parts without injury, missing eyes, bubbles, flying edge, burr, crack, swelling, the handle end of direct was shaking; riveting uniform is not easy to fall off; metal parts rust, burr, a leading out end without damage, the coating has no layer, shedding.

### 4.2 Electrical property

4.2.1 Insulation resistance:  $\geq 100\text{M}\Omega$

4.2.2 Pressure resistance: 250V AC/1min

4.2.3 Contact resistance:  $\leq 50\text{m}\Omega$

### 4.3 Mechanical properties

4.3.1 Action force:  $160 \pm 50\text{gf}$

4.3.2 Action recovery force:  $> 45\text{gf}$

4.3.3 Action travel:  $0.25 \pm 0.1\text{mm}$

### 4.3.4 Mechanical life

Switch in the rated voltage current should be able to withstand the number of 100000 times of action, the action frequency is 30 /1 minutes, after the test should meet the requirements.

#### 4.3.5 solderability

outlet terminal of switch is easy to be wet by Material solder, Solder temperature  $235\pm 5^{\circ}\text{C}$ , Immersion time  $2\pm 0.5\text{s}$ , Over 90% of the immersion area should be uniformly covered with solder

#### 4.3.6 Welding heat resistance

outlet terminal of switch and the base should be able to withstand the melting temperature of tin:  $260\pm 5^{\circ}\text{C}$ , Immersion time:  $5\pm 1\text{s}$ , The degree of impregnation is plastic substrate distance from the tin surface 2.5mm, The plastic matrix will not deform, bubble, flow, etc.

after the test, the electrical parameters and mechanical properties should not be abnormal..

### 5. Inspection and test

5.1 The technical requirements of this acknowledgement are for the company's factory inspection program.

5.2 for the high and low temperature, temperature, salt spray and other tests by the Provincial Bureau of technical supervision for the year of the periodic inspection, this acknowledgement that the book did not elaborate.

6 materials:

6.1 base, PA66 plastic

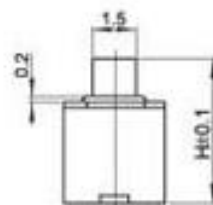
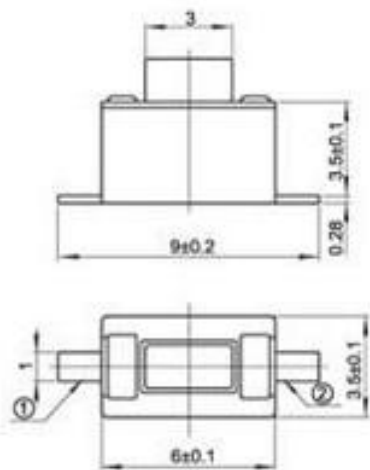
6.2 terminal: H62 brass strip

6.3: Tinfoil cover

6.4 button: PA66 plastic

6.5: AG/C5210 silver shrapnel

7. Structure and dimensions (L=4.3mm)



H
4.3
5.0