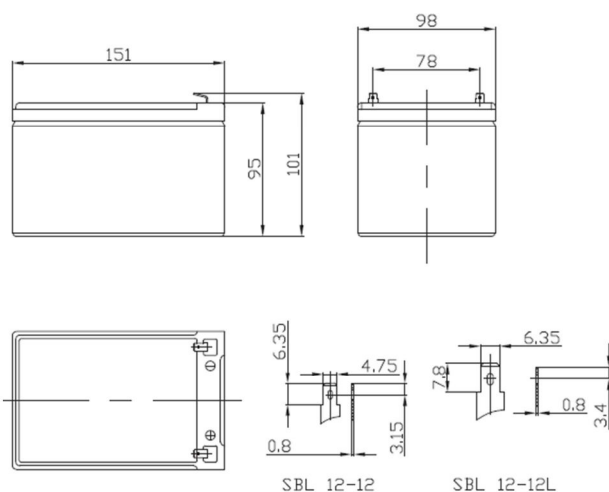




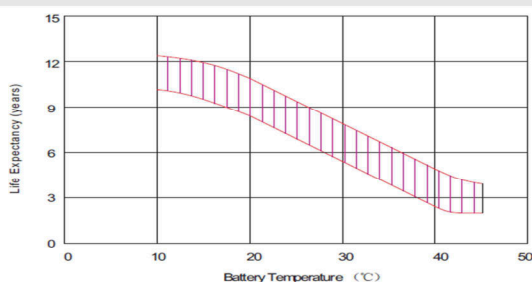
SBL 12-12 / SBL 12-12L (12V 12Ah)

Design life time	10-12 years	
Technology	VRLA-AGM	
Voltage	12 V	
Capacity minimalna (10hr-rate to 1,8 V/cel at 25°C)	12 Ah	
Dimensions	Length	151 mm
	Width	98 mm
	High	95 mm
	Total high	101 mm
Weight	~ 3,6 kg	
Internal resistance – full charged battery at 25°C	~ 16,5 mΩ	
Temp. range	Discharge	- 20°C ~ + 60°C
	Charge	- 0°C ~ + 50°C
	storage	- 20°C ~ + 60°C
Battery case	ABS (UL-94HB)	

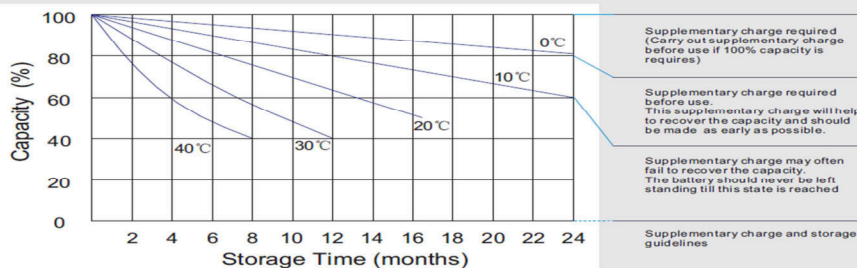


SBL 12-12 SBL 12-12L

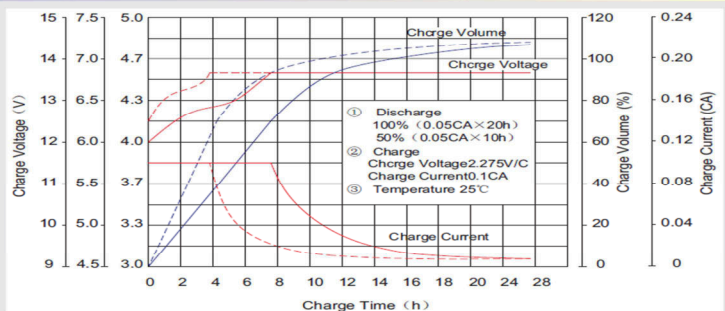
Effect of temperature on long term float life



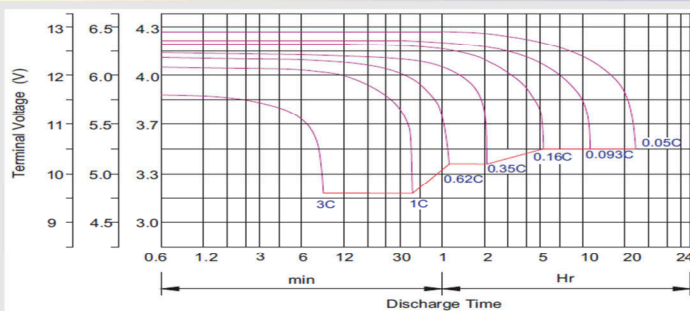
Storage characteristic



Charge characteristic Curve for standby use



Discharge characteristic Curve



Constant Current Discharge Characteristics (A at 25°C)

napięcie/czas	5 min	10 min	15 min	30 min	1 h	2 h	3 h	4 h	5 h	8 h	10 h	20 h
9.6 V	51,47	33,75	26,46	14,85	8,82	5,08	3,45	2,76	2,30	1,46	1,27	0,71
10.0 V	49,62	32,91	25,60	14,66	8,58	4,98	3,39	2,73	2,26	1,46	1,25	0,68
10.2 V	46,70	31,28	24,90	14,43	8,50	4,93	3,36	2,70	2,23	1,44	1,23	0,67
10.5 V	41,98	29,24	23,48	14,04	8,34	4,86	3,33	2,67	2,20	1,43	1,23	0,65
10.8 V	37,61	27,27	22,16	13,58	8,18	4,82	3,29	2,66	2,18	1,42	1,21	0,61
11.1 V	32,91	25,00	20,44	13,06	7,97	4,63	3,23	2,64	2,16	1,41	1,19	0,60

Constant Power Discharge Characteristics (W at 25°C)

napięcie/czas	5 min	10 min	15 min	30 min	1 h	2 h	3 h	4 h	5 h	8 h	10 h	20 h
9.6 V	541,53	359,02	283,16	169,96	102,46	59,29	40,36	32,71	27,17	17,50	15,16	8,51
10.0 V	527,50	351,53	279,15	168,27	100,95	58,78	40,29	32,62	27,03	17,44	15,02	8,21
10.2 V	501,65	337,60	275,46	166,80	100,21	58,42	40,13	32,36	26,77	17,30	14,88	8,06
10.5 V	457,87	323,67	261,11	163,31	98,86	57,94	39,97	32,06	26,45	17,15	14,72	7,83
10.8 V	413,14	302,79	246,66	159,52	97,24	57,47	39,51	31,95	26,17	17,08	14,50	7,37
11.1 V	364,29	281,90	232,31	155,09	95,42	55,47	38,73	31,62	25,92	16,96	14,28	7,26