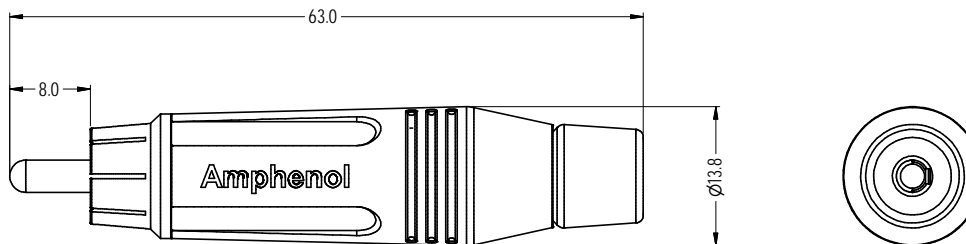
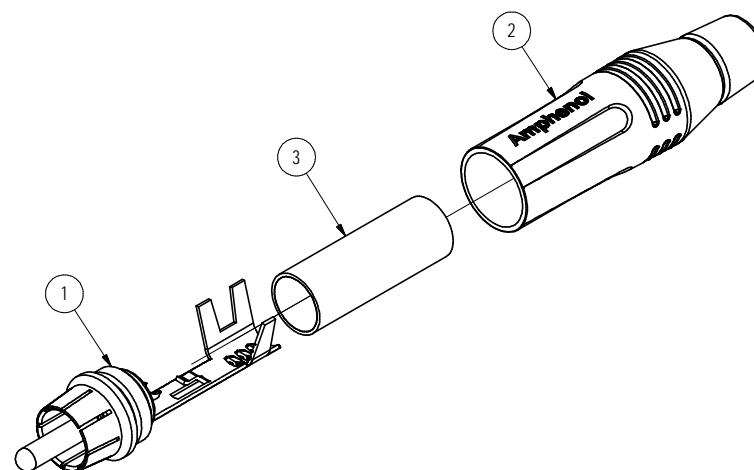


ISO VIEW



| Part Numbers According to Backshell and Grommet Finish | | | | |
|--|-----------------|--------------------------|--------------|----------------|
| CATALOGUE P/No | REFERENCE P/No. | BACKSHELL ASSEMBLY P/No. | SHELL FINISH | GROMMET FINISH |
| ACPR-SBK | 55010299-000 | 53490001-331 | NICKEL | BLACK |
| ACPR-BLK | 55010299-001 | 53490001-431 | BLACK | BLACK |
| ACPR-BRN | 55010299-002 | 53490001-031 | BROWN | BROWN |
| ACPR-RED | 55010299-003 | 53490001-131 | RED | RED |
| ACPR-YEL | 55010299-004 | 53490001-231 | YELLOW | YELLOW |
| ACPR-GRN | 55010299-005 | 53490001-531 | GREEN | GREEN |
| ACPR-BLU | 55010299-006 | 53490001-631 | BLUE | BLUE |
| ACPR-VIO | 55010299-007 | 53490001-731 | VIOLET | VIOLET |
| ACPR-GRY | 55010299-008 | 53490001-831 | GREY | GREY |
| ACPR-WHT | 55010299-009 | 53490001-931 | WHITE | WHITE |
| ACPR-SRD | 55010299-010 | 53490001-332 | NICKEL | RED |
| ACPR-SYL | 55010299-011 | 53490001-333 | NICKEL | YELLOW |
| ACPR-SGR | 55010299-012 | 53490001-334 | NICKEL | GREEN |
| ACPR-SBL | 55010299-013 | 53490001-335 | NICKEL | BLUE |
| ACPR-SWH | 55010299-014 | 53490001-336 | NICKEL | WHITE |

| Parts List | | | | |
|------------|----------------|----------------|------------------------------------|-----|
| ITEM | PART NUMBER | DWG No | DESCRIPTION | QTY |
| 1 | 50310024-130 | 50310024-130-1 | MALE RCA PLUG INSERT ASSEMBLY | 1 |
| 2 | REFER TO TABLE | 53490001-331-1 | 1/4" PHONE PLUG BACKSHELL ASSEMBLY | 1 |
| 3 | 51270016-521 | 51270013-521-1 | M-SERIES PLASTIC BIG TUBE | 1 |



| | | | | | | | | | | |
|--|----------------------------------|---|----------|----------------|----------------|---|------------------------|-------------|------|--------|
| UNLESS OTHERWISE SPECIFIED TOLERANCE TO BE | | THIS DOCUMENT IS THE PROPERTY OF AMPHENOL AUSTRALIA PTY. LTD. NO PART THEREOF MAY BE REPRODUCED AND USED WITHOUT THE PRIOR WRITTEN CONSENT OF THE OWNER | | | 0 | FIRST ISSUE | L.V | 03-06-04 | ---- | |
| LINEAR | ANGULAR | CAD FILE: 55010299000110 | DSD: | LV | DATE: 03-06-04 | TITLE: | MALE RCA PLUG ASSEMBLY | | | |
| X ± 0.5 XX ± 0.1 XXX ± 0.05 | X ± 1 XX' ± 30' XXX' ± 30' | MATL: REFER TO COMPONENT | CKD: | M.N.H | DATE: 07-09-05 | REV: | CHANGE DETAILS | BY | DATE | CHG/No |
| BREAK ALL SHARP EDGES AND REMOVE ALL BURRS | | FINISH: REFER TO TABLE | APP'D: | P.M | DATE: 07-09-05 | Amphenol Australia Pty Ltd, 2 Pineway Blvd, Kaysborough, Vic 3171 | | DRAWING NO. | | |
| DO NOT SCALE | THIRD ANGLE PROJECTION | SCALE: 2:1 UOS | PART No: | 55010299000111 | SIZE: A3 | 55010299-000-1 | | 1/1 | | |