

**■ Features**

- High Luminous LEDs
- 3mm Cylinder Standard Directivity
- UV Resistant Epoxy
- Integral Current Limiting Resistor
- TTL Compatible (Requires No External Current Limiter With 12 Volt Supply)
- Cost Effective (Saves Space and Resistor Cost)
- Color Diffused Type / W/M/K: White Diffused Type

**■ Applications**

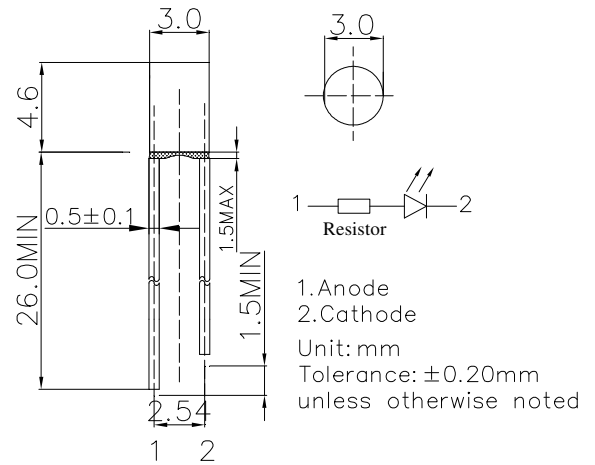
- Status Indicators
- Other Lighting

**■ Absolute Maximum Rating**

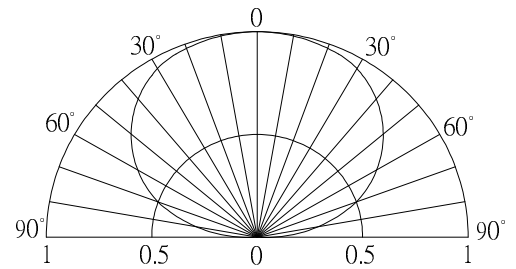
(Ta=25°C)

| Item                       | Symbol         | Value      | Unit |
|----------------------------|----------------|------------|------|
| DC Forward Voltage         | V <sub>F</sub> | 15         | V    |
| Reverse Voltage            | V <sub>R</sub> | 12         | V    |
| Power Dissipation          | P <sub>D</sub> | 225        | mW   |
| Operating Temperature      | Topr           | -30 ~ +85  | °C   |
| Storage Temperature        | Tstg           | -30 ~ +85  | °C   |
| Lead Soldering Temperature | Tsol           | 260°C/5sec | -    |

**■ Outline Dimension**



**■ Directivity**



**■ Electrical -Optical Characteristics**

(Ta=25°C)

| Part Number     | Color      |    | I <sub>F</sub> (mA) |      |      | I <sub>v</sub> (mcd)* |      |      | λD(nm)*                     |      |      | 2θ1/2(deg) |
|-----------------|------------|----|---------------------|------|------|-----------------------|------|------|-----------------------------|------|------|------------|
|                 |            |    | Min                 | Typ. | Max. | Min.                  | Typ. | Max. | Min.                        | Typ. | Max. | Typ.       |
|                 |            |    | V <sub>F</sub> =12V |      |      | V <sub>F</sub> =12V   |      |      |                             |      |      |            |
| OSW5DK3HE2B-12V | White      | W  | -                   | 10   | 15   | 750                   | 1120 | -    | X=0.27, Y=0.28(8500-18000K) |      |      | 140        |
| OSM5DK3HE2B-12V | Warm White | M  | -                   | 10   | 15   | 500                   | 750  | -    | X=0.44, Y=0.41(2700-3200K)  |      |      | 140        |
| OSK5DK3HE2B-12V | Pink       | K  | -                   | 10   | 15   | 150                   | 220  | -    | X:0.45 Y:0.17               |      |      | 140        |
| OSB5SA3HE4B-12V | Blue       | B  | -                   | 10   | 15   | 150                   | 220  | -    | 465                         | 470  | 475  | 140        |
| OSG5DA3HE4B-12V | Pure Green | PG | -                   | 10   | 15   | 750                   | 1120 | -    | 520                         | 525  | 530  | 140        |
| OSY5PA3HE4B-12V | Yellow     | Y  | -                   | 10   | 15   | 220                   | 330  | -    | 585                         | 590  | 595  | 140        |
| OSO5PA3HE4B-12V | Orange     | O  | -                   | 10   | 15   | 220                   | 330  | -    | 600                         | 605  | 610  | 140        |
| OSR5PA3HE4B-12V | Red        | R  | -                   | 10   | 15   | 220                   | 330  | -    | 620                         | 625  | 630  | 140        |

\*1 Tolerance of measurements of Domi. wavelength is ±1nm

\*2 Tolerance of measurements of chromaticity coordinates is ±10%

\*3 Tolerance of measurements of luminous intensity is ±15%

\*4 Tolerance of measurements of forward voltage is ±0.1V